

# SPARE PART CATALOG

## NETTI III HD

Version 2/08 -

# INDEX

	Page
Chair frame	3
Seat cushion	4
Backrest	5
Backrest cushion	6
Push handle	7
Head support A	8
Head support B	9
Head support C	10
Arm support - left	11
Arm support - right	12
Comfort pads arm support	13
Arm support bracket	14
Extension piece foot support	15
Angle adjustable foot supports - complete	16
Angle adjustable foot supports - parts	17
Bearing house	19
Front castors	20
Brake	21
Gas cylinders	22
Main wheels	23
Anti tip	24

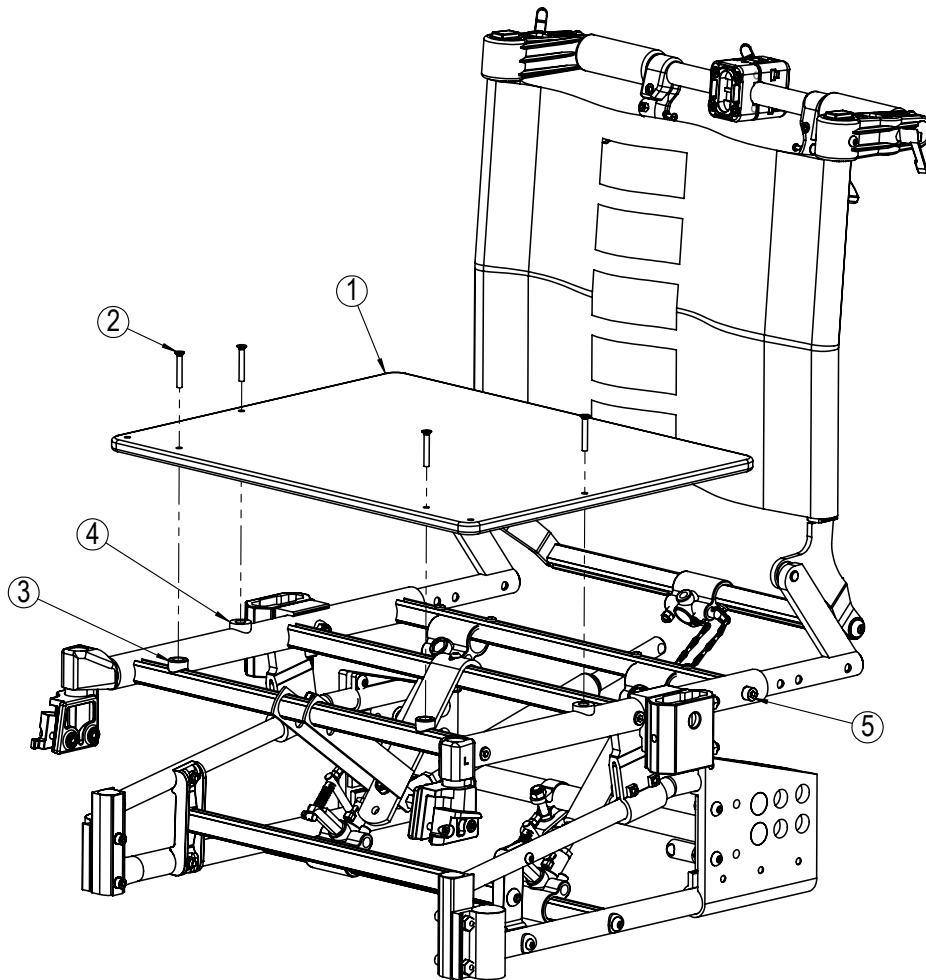
Produced by:

Alu Rehab AS, Bedriftsveien 23, NO-4352 Klepp stasjon, Norway

Phone: + 47 51 78 62 20 - Fax + 47 51 78 62 21

E-mail: [post@alurehab.com](mailto:post@alurehab.com)

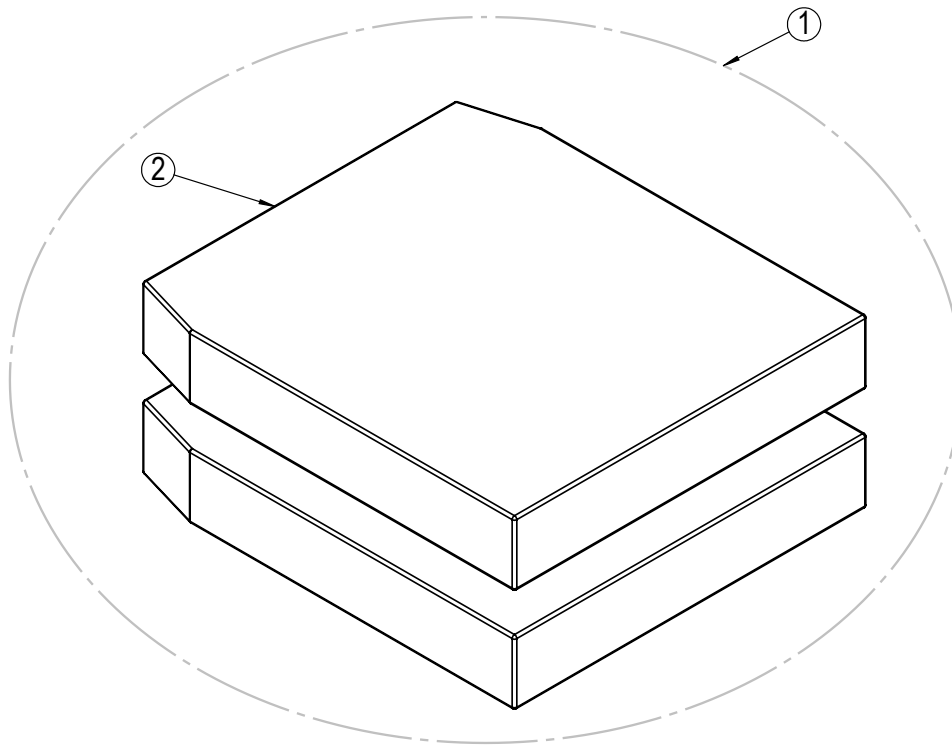
[www.alurehab.com](http://www.alurehab.com)



## Chair frame

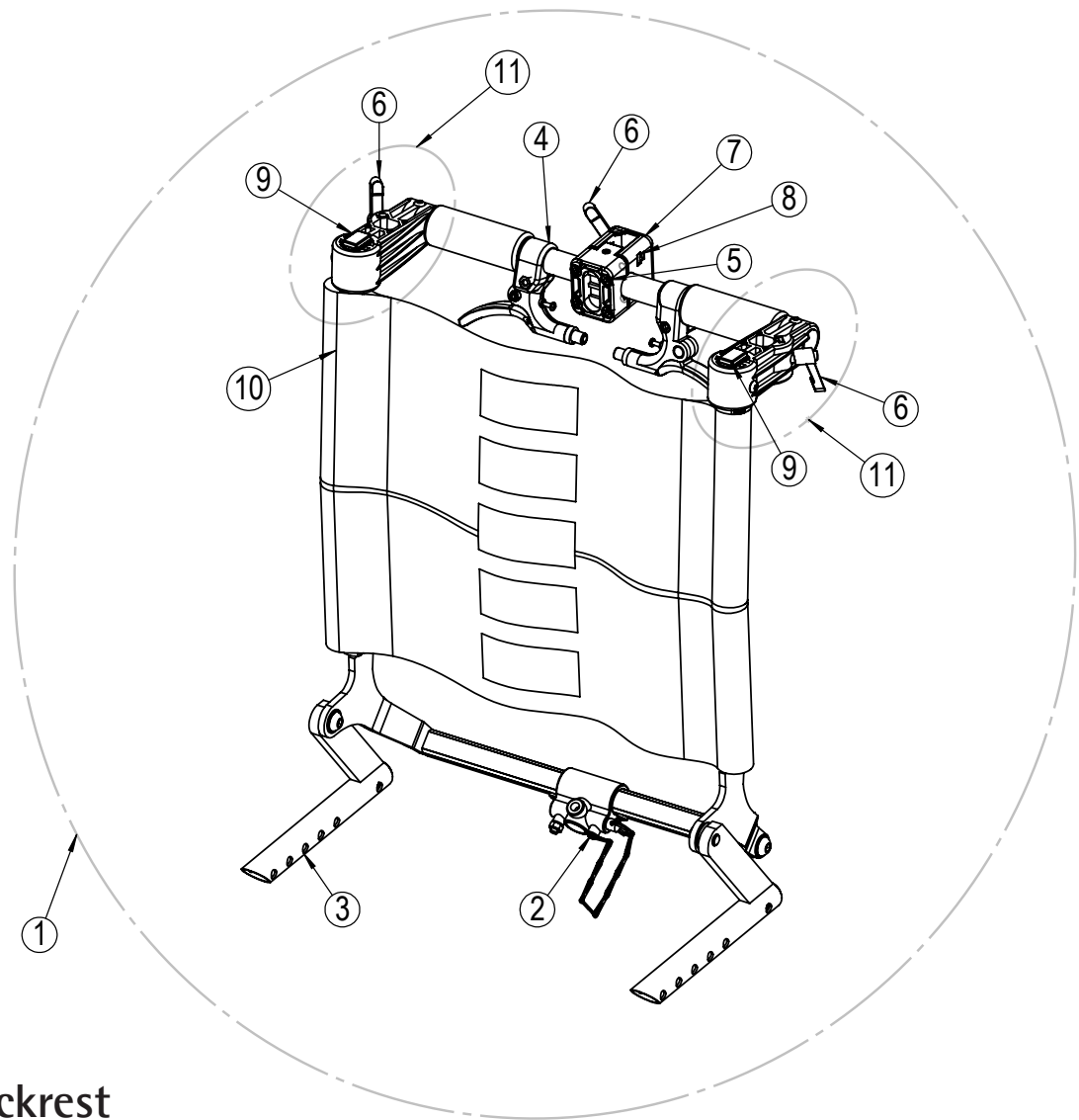
Position	Description	Item no.	Pcs. pr. chair
1	Seat plate solid wood. Width: 50cm Depth: 40cm	40822	1
1	Seat plate solid wood. Width: 50cm Depth: 46cm	40825	1
1	Seat plate solid wood. Width: 55cm Depth: 40cm	20759	1
1	Seat plate solid wood. Width: 55cm Depth: 46cm	20635	1
1	Seat plate solid wood. Width: 60cm Depth: 40cm	20616	1
1	Seat plate solid wood. Width: 60cm Depth: 46cm	20617	1
2*	Screw M5x35	22098	4
3*	Frame Seat plate Washer High	24141	2
4*	Frame Seat plate Washer Low	22084	2
5*	Screw M8x40	21095	2

\* Available upon request



## Seat cushion

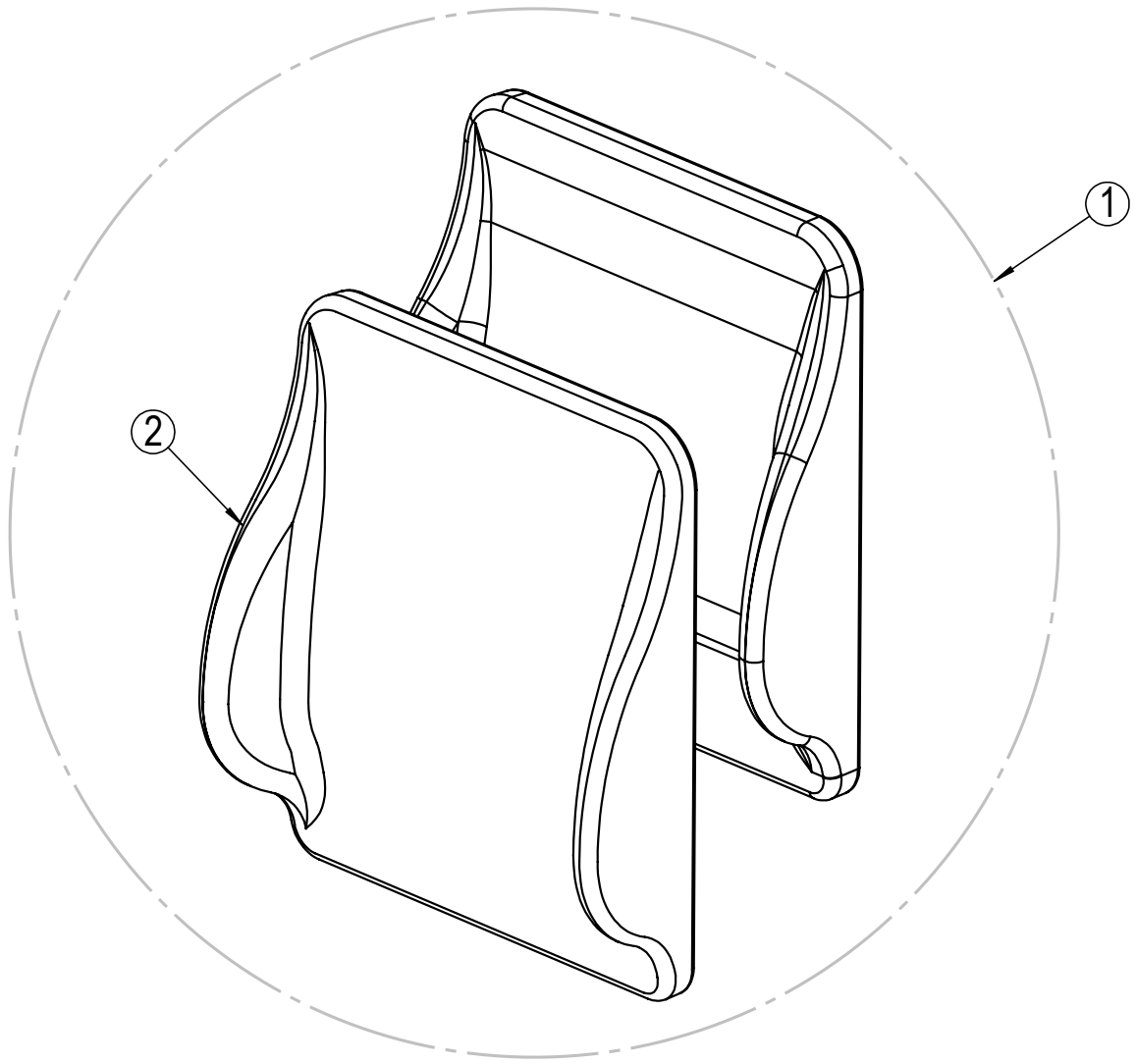
Position	Description	Item no.	Pcs pr. chair
1	Seat cushion, Uno Seat Width:50cm Depth:40cm, Mars	840400	1
1	Seat cushion, Uno Seat Width:50cm Depth:45cm, Mars	840401	1
1	Seat cushion, Uno Seat Width:50cm Depth:50cm, Mars	840402	1
1	Seat cushion, Uno Seat Width:55cm Depth:40cm, Mars	840405	1
1	Seat cushion, Uno Seat Width:55cm Depth:45cm, Mars	840406	1
1	Seat cushion, Uno Seat Width:55cm Depth:50cm, Mars	840407	1
1	Seat cushion, Uno Seat Width:60cm Depth:40cm, Mars	840410	1
1	Seat cushion, Uno Seat Width:60cm Depth:45cm, Mars	840411	1
1	Seat cushion, Uno Seat Width:60cm Depth:50cm, Mars	840412	1
2	Outer cover, Uno Seat Width:50cm Depth:40cm, Mars	3545040	1
2	Outer cover, Uno Seat Width:50cm Depth:45cm, Mars	3545045	1
2	Outer cover, Uno Seat Width:50cm Depth:50cm, Mars	3545050	1
2	Outer cover, Uno Seat Width:55cm Depth:40cm, Mars	3545540	1
2	Outer cover, Uno Seat Width:55cm Depth:45cm, Mars	3545545	1
2	Outer cover, Uno Seat Width:55cm Depth:50cm, Mars	3545550	1
2	Outer cover, Uno Seat Width:60cm Depth:40cm, Mars	3546040	1
2	Outer cover, Uno Seat Width:60cm Depth:45cm, Mars	3546045	1
2	Outer cover, Uno Seat Width:60cm Depth:50cm, Mars	3546050	1



## Backrest

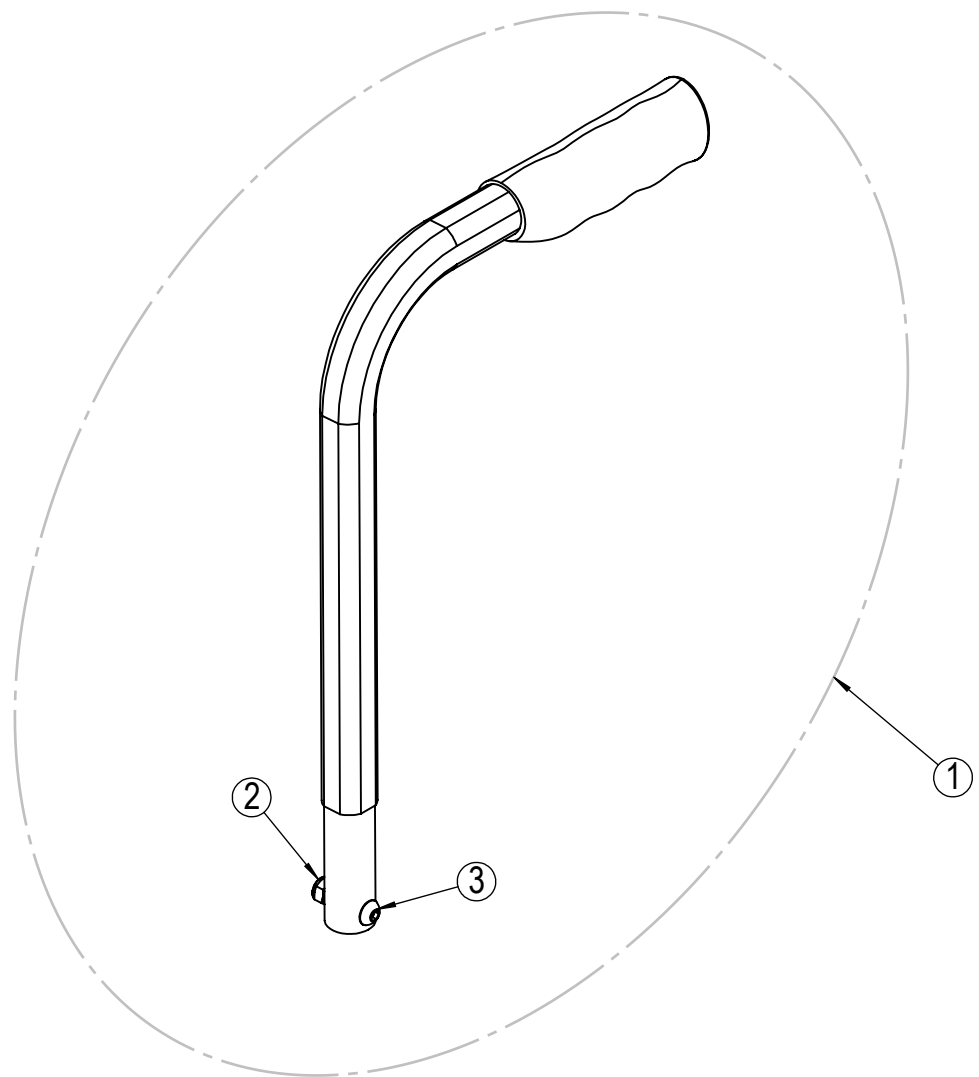
Position	Description	Item no.	Pcs. pr. chair
1	Backrest 50cm Netti III complete	26917	1
1	Backrest 55cm Netti III complete	26918	1
1	Backrest 60cm Netti III complete	26919	1
2	Cylinder hinge	20433	1
3	Backrest hinge	22062	2
4	Release handle left	40387	1
4	Release handle right	20463	1
5*	Screw M6x40	20431	4
6*	Clamp lever M6x16	20097	3
7	Head support adapter complete	23005	1
8*	Square nut M6	20296	7
9*	Plug 25x15	21847	2
10	Velcro 55-60cm	2865	1
11	Backrest push bar bracket complete	26051	2

\* Available upon request



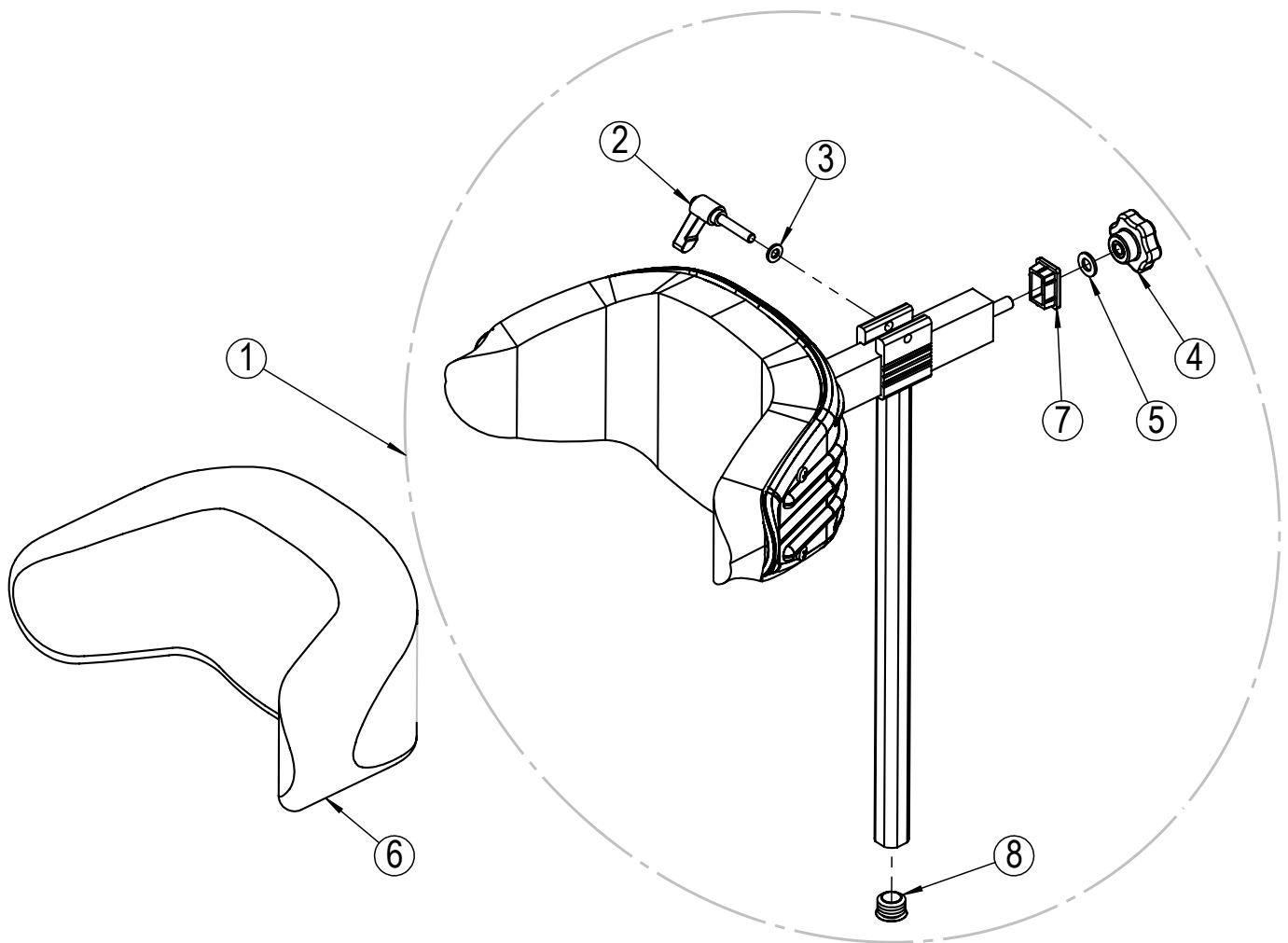
## Backrest cushion

Position	Description	Item no.	Pcs. pr. chair
1	Backrest cushion, Uno Back Width:50cm Height:50cm, Mars	3735050	1
1	Backrest cushion, Uno Back Width:55cm Height:50cm, Mars	3735055	1
1	Backrest cushion, Uno Back Width:60cm Height:50cm, Mars	3735060	1
2	Outer cover, Uno Back Width:50cm Height:50cm, Mars	3745050	1
2	Outer cover, Uno Back Width:55cm Height:50cm, Mars	3745055	1
2	Outer cover, Uno Back Width:60cm Height:50cm, Mars	3745060	1



## Push handle

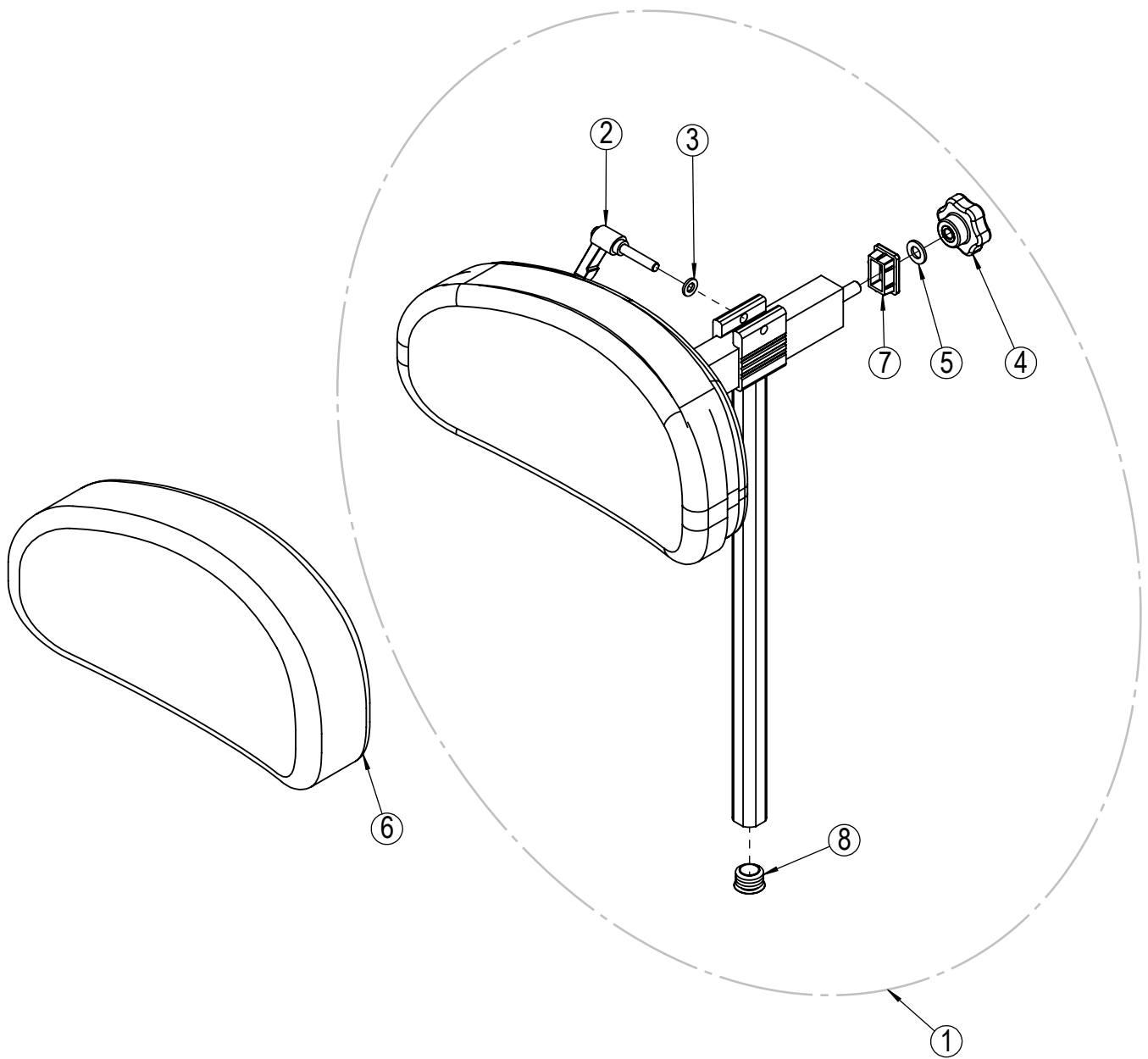
Position	Description	Item no.	Pcs. pr. chair
1	Push handle standard 300mm complete	21754	2
1	Push handle long 500mm complete	21808	2
2*	Lock nut M6	20058	2
3*	Screw M6x25	20992	2



## Head support A

Position	Description	Item no.	Pcs. pr. chair
1	Head support A with Mars	20575	1
2*	Clamp lever M6x30	20282	1
3*	Washer M6	20063	1
4*	Star wheel M8	26684	1
5*	Washer M8	29305	1
6	Hygiene cover Mars Head support A	20126	1
7*	Square plug horizontal bar	20852	1
8*	Plastic plug vertical bar	20509	1

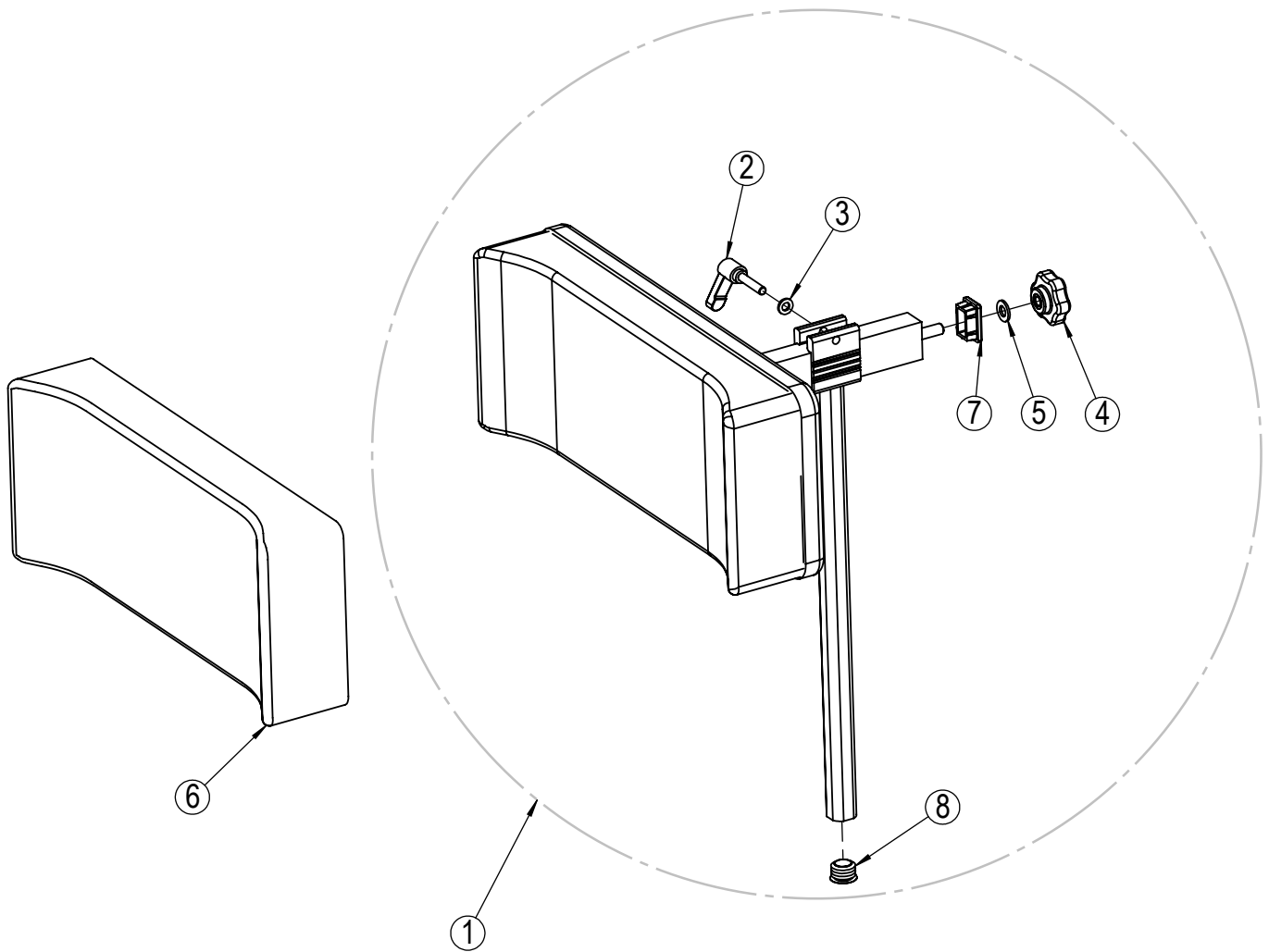
\* Available upon request.



## Head support B

Position	Description	Item no.	Pcs. pr. chair
1	Head support B with Mars	20574	1
2*	Clamp lever M6x30	20282	1
3*	Washer M6	20063	1
4*	Star wheel M8	26684	1
5*	Washer M8	29305	1
6	Hygiene cover Mars Head support B	20629	1
7*	Square plug horizontal bar	20852	1
8*	Plastic plug vertical bar	20509	1

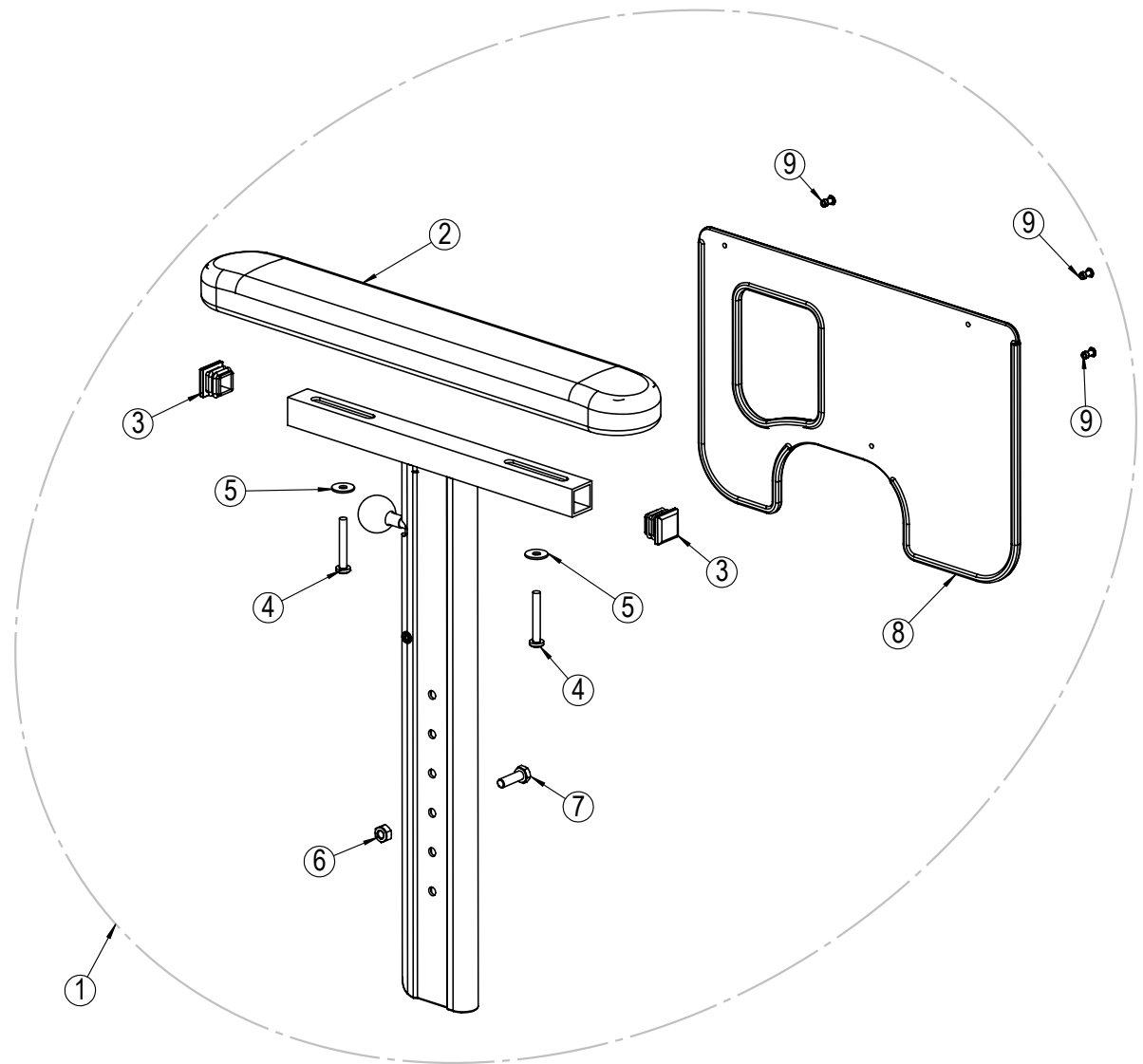
\* Available upon request.



## Head support C

Position	Description	Item no.	Pcs. pr. chair
1	Head support C with Mars	20573	1
2*	Clamp lever M6x30	20282	1
3*	Washer M6	20063	1
4*	Star wheel M8	26684	1
5*	Washer M8	29305	1
6	Hygiene cover Mars Head support C	20628	1
7*	Square plug horizontal bar	20852	1
8*	Plastic plug vertical bar	20509	1

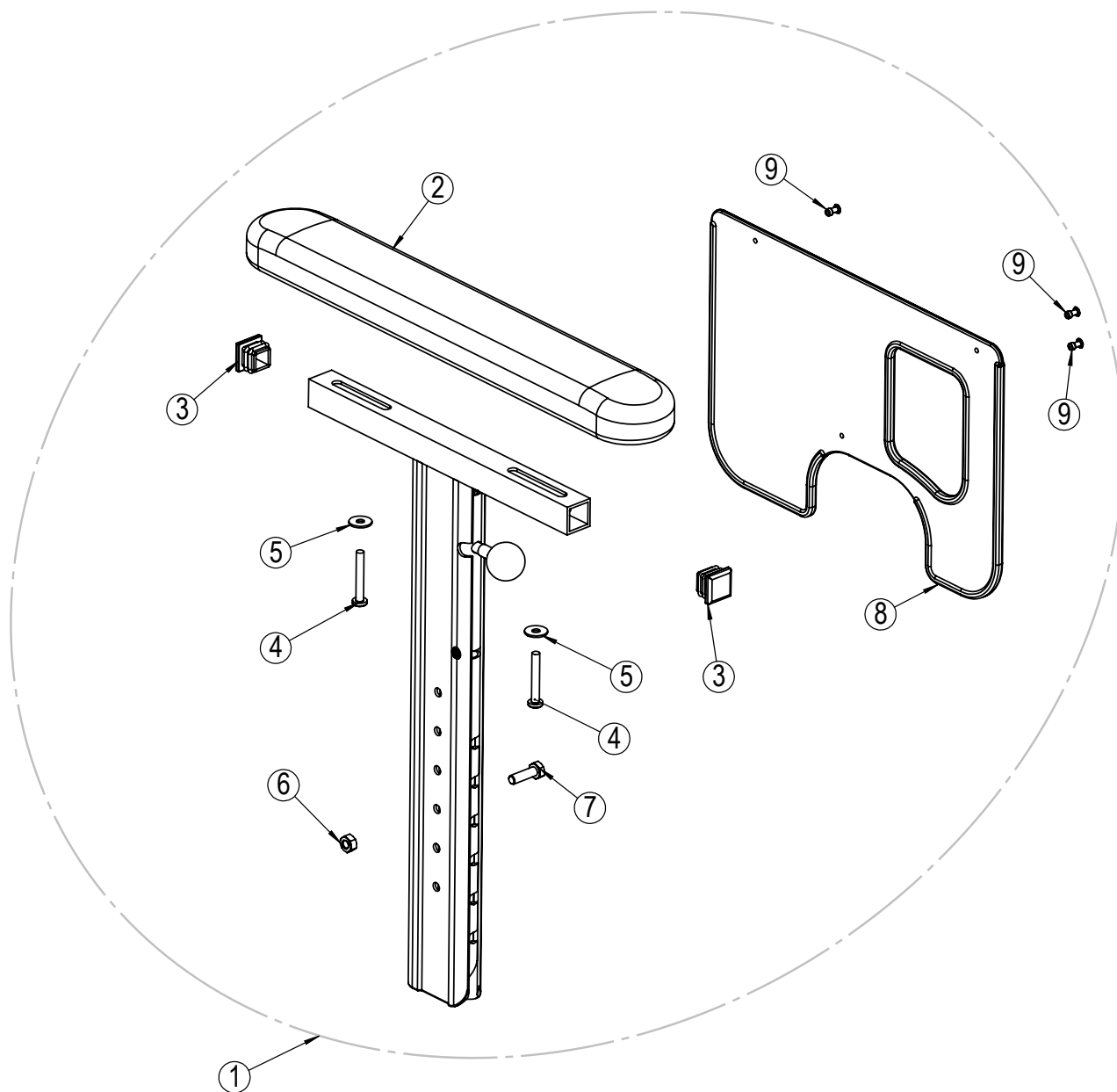
\* Available upon request.



## Arm support - left

Position	Description	Item no.	Pcs. pr. chair
1	Arm support left complete	21681	1
2	Arm support pad wide 420x80 PU with screws	29137	1
3*	Square plug 20x20x12 mm	20633	2
4*	Screw M5x35	21323	2
5*	Washer M5	23594	2
6*	Screw M6x20	20406	1
7*	Nut M6	20407	1
8	Skirt guard arm support	20239	1
9*	Pop black $\varnothing$ 3.2x9.7mm	20060	3

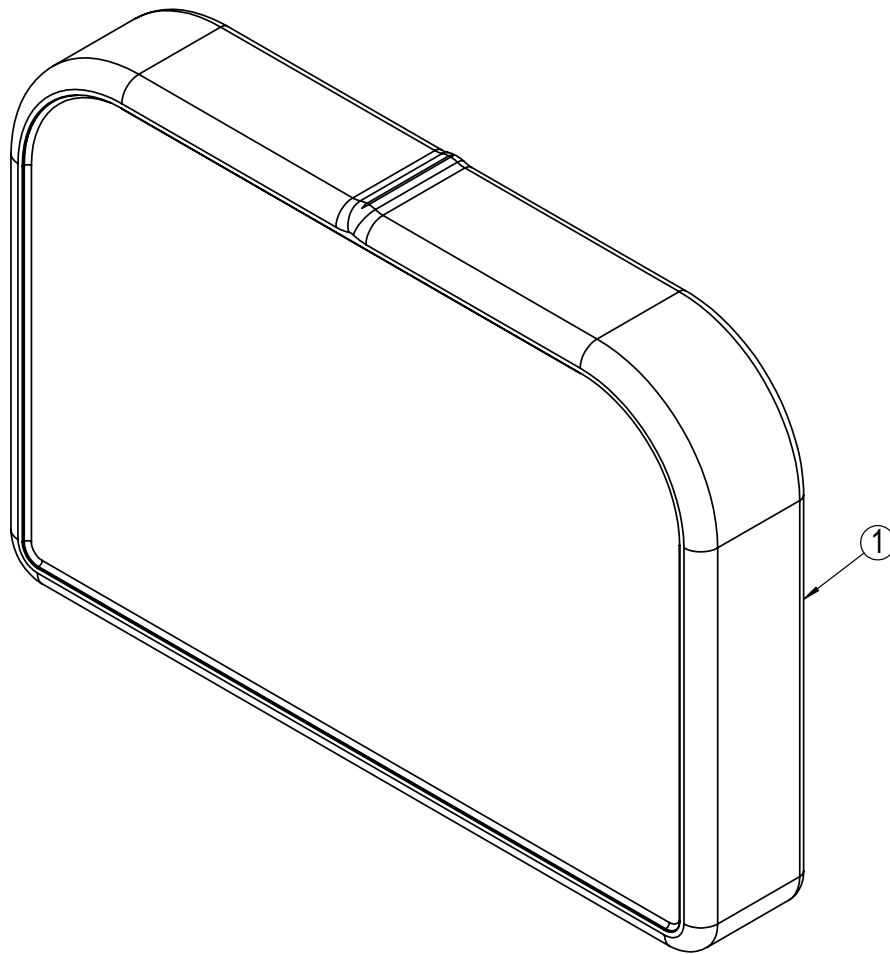
\* Available upon request



## Arm support - right

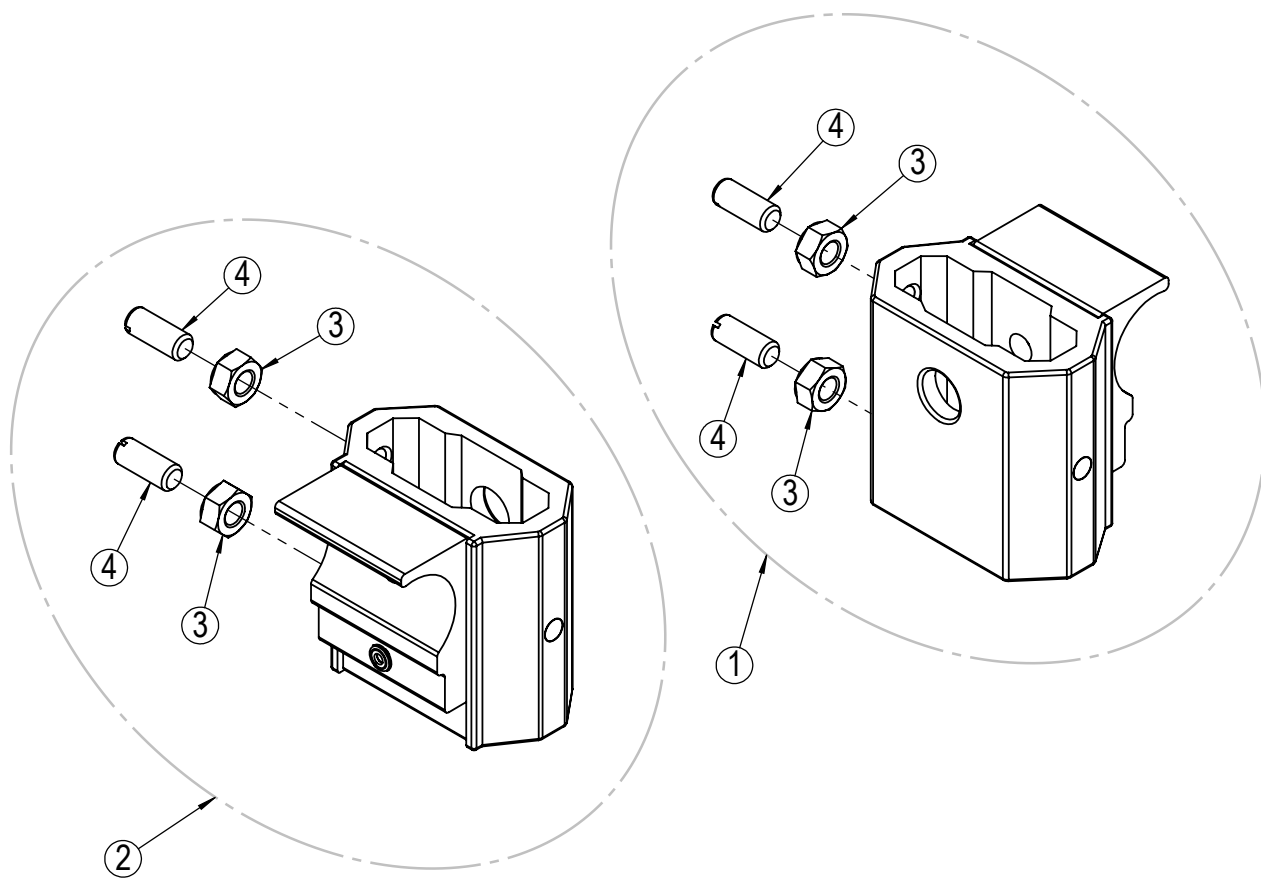
Position	Description	Item no.	Pcs. pr. chair
1	Arm support right complete	21682	1
2	Arm support pad standard 385x58 PU with screws	27994	1
3*	Square plug 20x20x12 mm	20633	2
4*	Screw M5x35	21323	2
5*	Washer M5	23594	2
6*	Screw M6x20	20406	1
7*	Nut M6	20407	1
8	Skirt guard arm support	20239	1
9*	Pop black $\varnothing$ 3.2x9.7mm	20060	3

\* Available upon request



## Comfort pads arm support

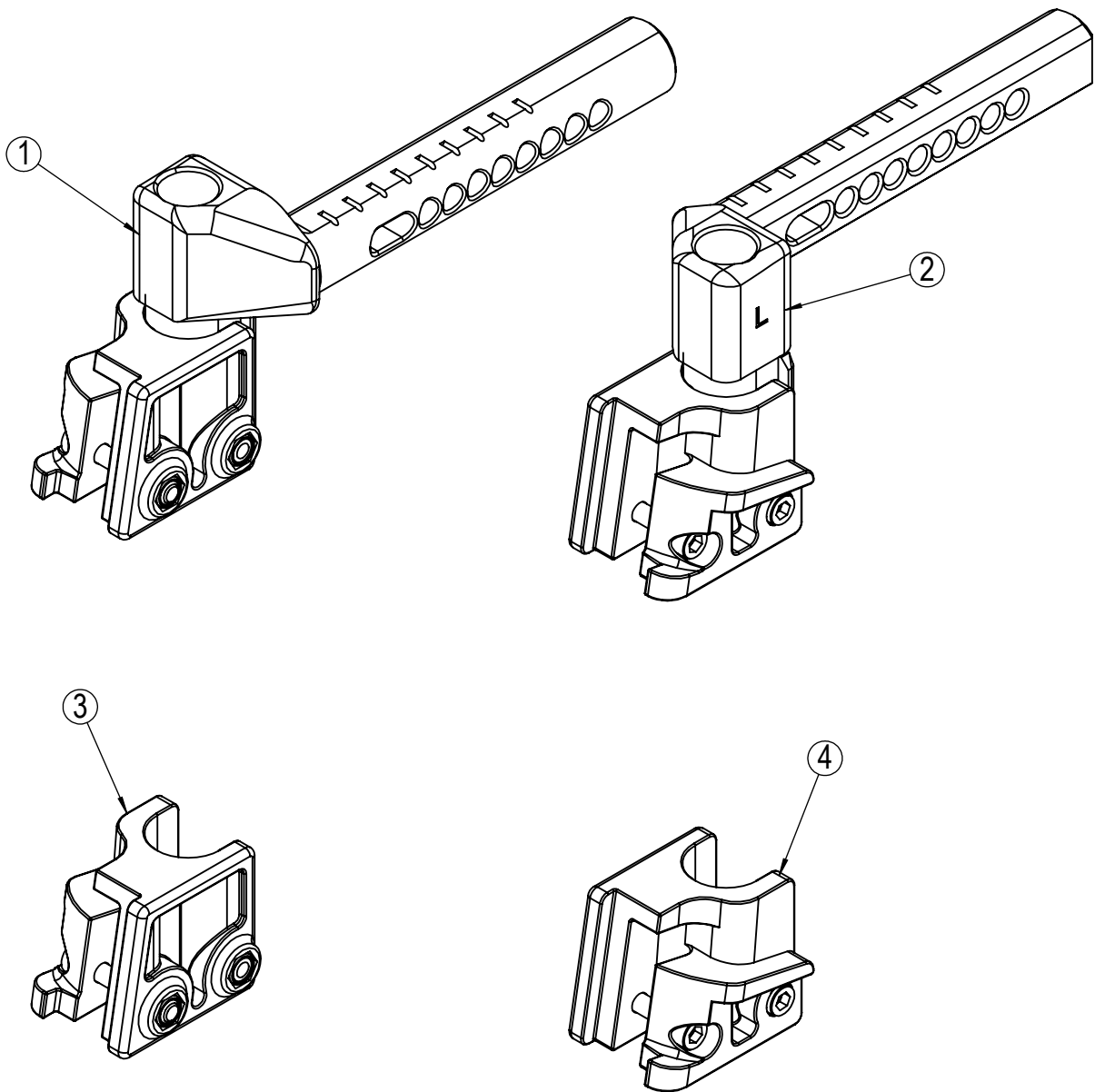
Position	Description	Item no.	Pcs. pr. chair
1	Comfort pads. 2,5cm	22149	2
1	Comfort pads. 3,5cm	22150	2
1	Comfort pads. 3,5cm	22151	2



## Arm support bracket

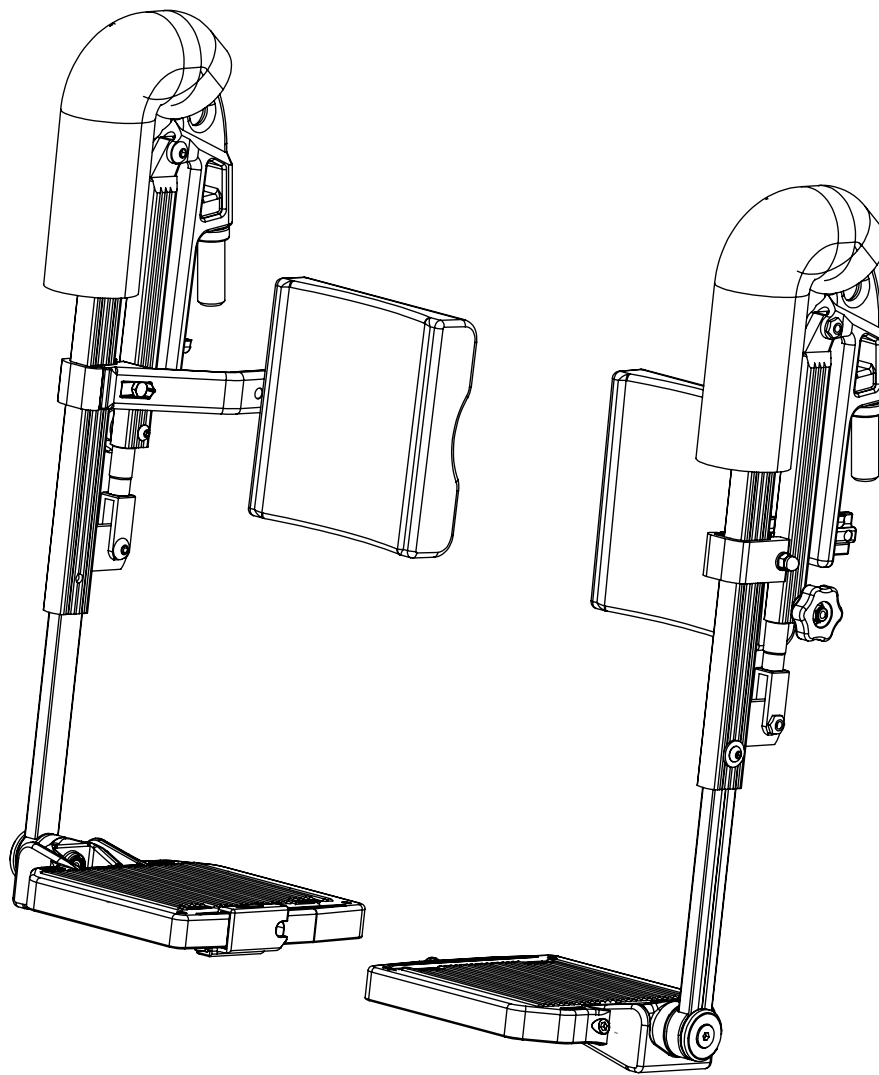
Position	Description	Item no.	Pcs. pr. chair
1	Arm support bracket right complete	20404	1
2	Arm support bracket left complete	20401	1
3*	Nut M8	20408	4
4*	Nylon screw M8x20	20857	4

\* Available upon request



### Extension piece - foot support

Position	Description	Item no.	Pcs. pr. chair
1	Extension piece. Silver. Right. Complete.	27384	1
2	Extension piece. Silver. Left. Complete.	27385	1
3	Locking bracket with screw. Right.	29555	1
4	Locking bracket with screw. Left.	29556	1



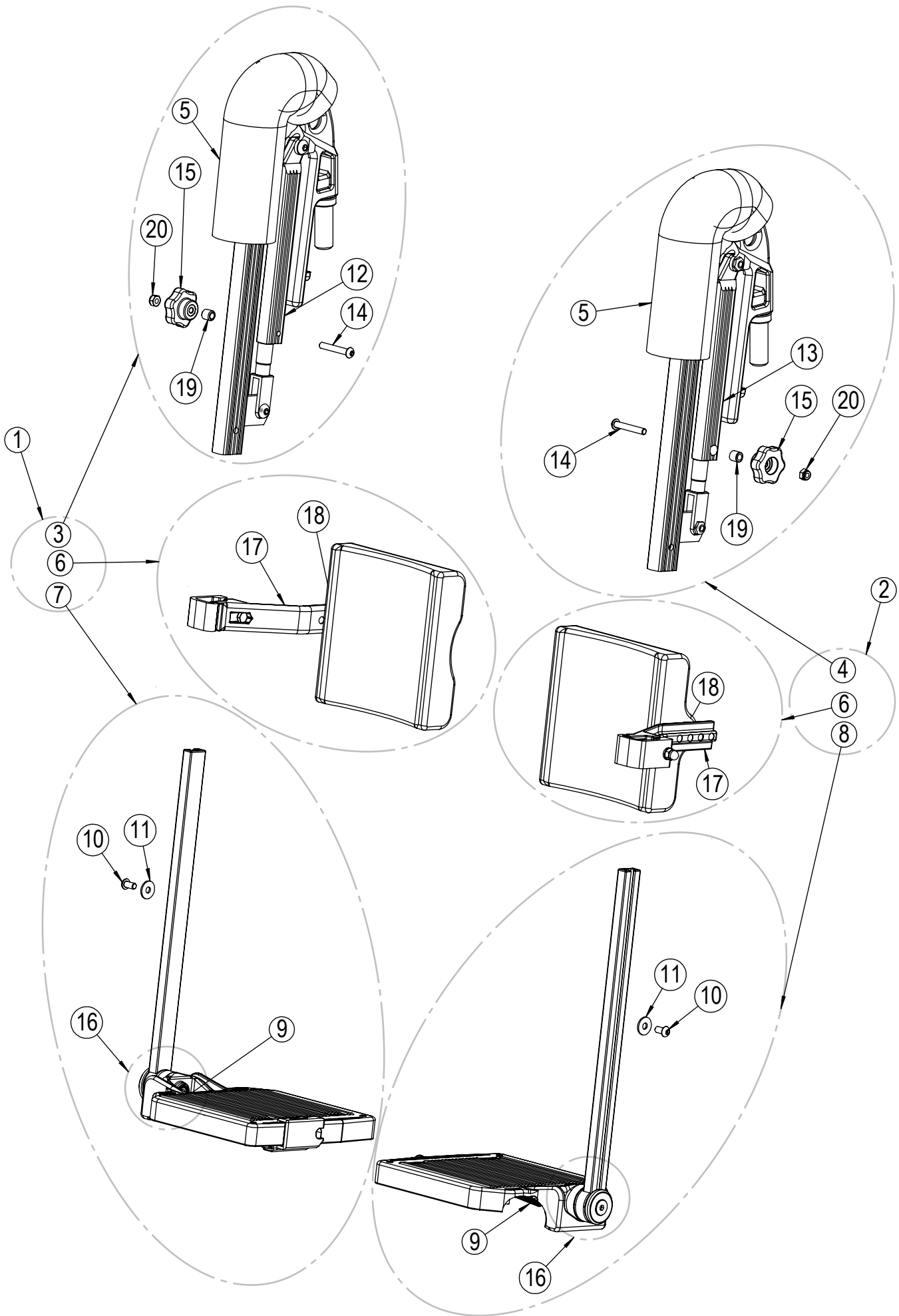
## Angle adjustable foot supports - complete

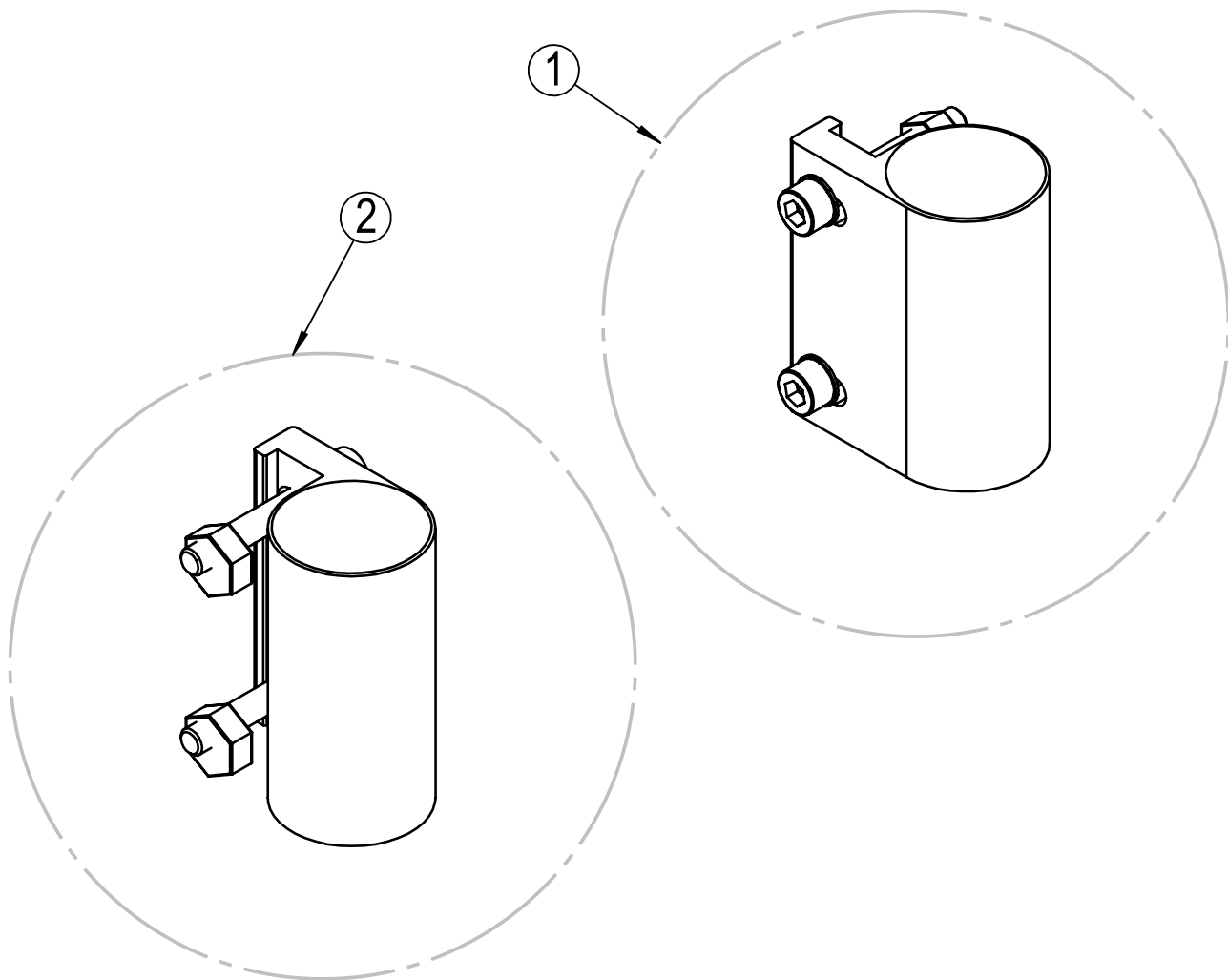
Position	Description	Item no.	Pcs. pr. chair
1	Angle adjustable foot support. Black. 50cm. Right.	29505	1
2	Angle adjustable foot support. Black. 50cm. Left.	29513	1
1	Angle adjustable foot support. Black. 55cm. Right.	29506	1
2	Angle adjustable foot support. Black. 55cm. Left.	29514	1
1	Angle adjustable foot support. Black. 60cm. Right.	29507	1
2	Angle adjustable foot support. Black. 60cm. Left..	29515	1

## Angle adjustable foot supports - parts

Position	Description	Item no.	Pcs. pr. chair
3	Angle adjustable foot support. Black. Right.	29489	1
4	Angle adjustable foot support. Black. Left.	29490	1
5	Knee upholstery. Mars.	23864	2
6	Calf pad with bracket. 50cm	27967	1
6	Calf pad with bracket. 55cm	27968	1
6	Calf pad with bracket. 60cm	27969	1
7	Foot plate. 50cm Right.	28626	1
8	Foot plate. 50cm Left.	28654	1
7	Foot plate. 55cm Right.	28627	1
8	Foot plate. 55cm Left.	28655	1
7	Foot plate. 60cm Right.	28628	1
8	Foot plate. 60cm Left.	28656	1
9*	Foot plate spring	27858	2
10*	Screw M6x12	24272	2
11*	Washer	20356	2
12	Mechanical adjustment piece with screw. Black. Right.	29558	1
13	Mechanical adjustment piece with screw. Black. Left.	29559	1
14*	Screw M6x40	20103	2
15*	Adjustment wheel	27388	2
16	Foot plate hinge complete	28523	2
17	Calf support bracket with screw, washer and lock nut	25353	2
18*	Nut M8	29761	2
19*	Foot support locking cone	20539	2
20*	Nut M6	20058	2

\* Available upon request.

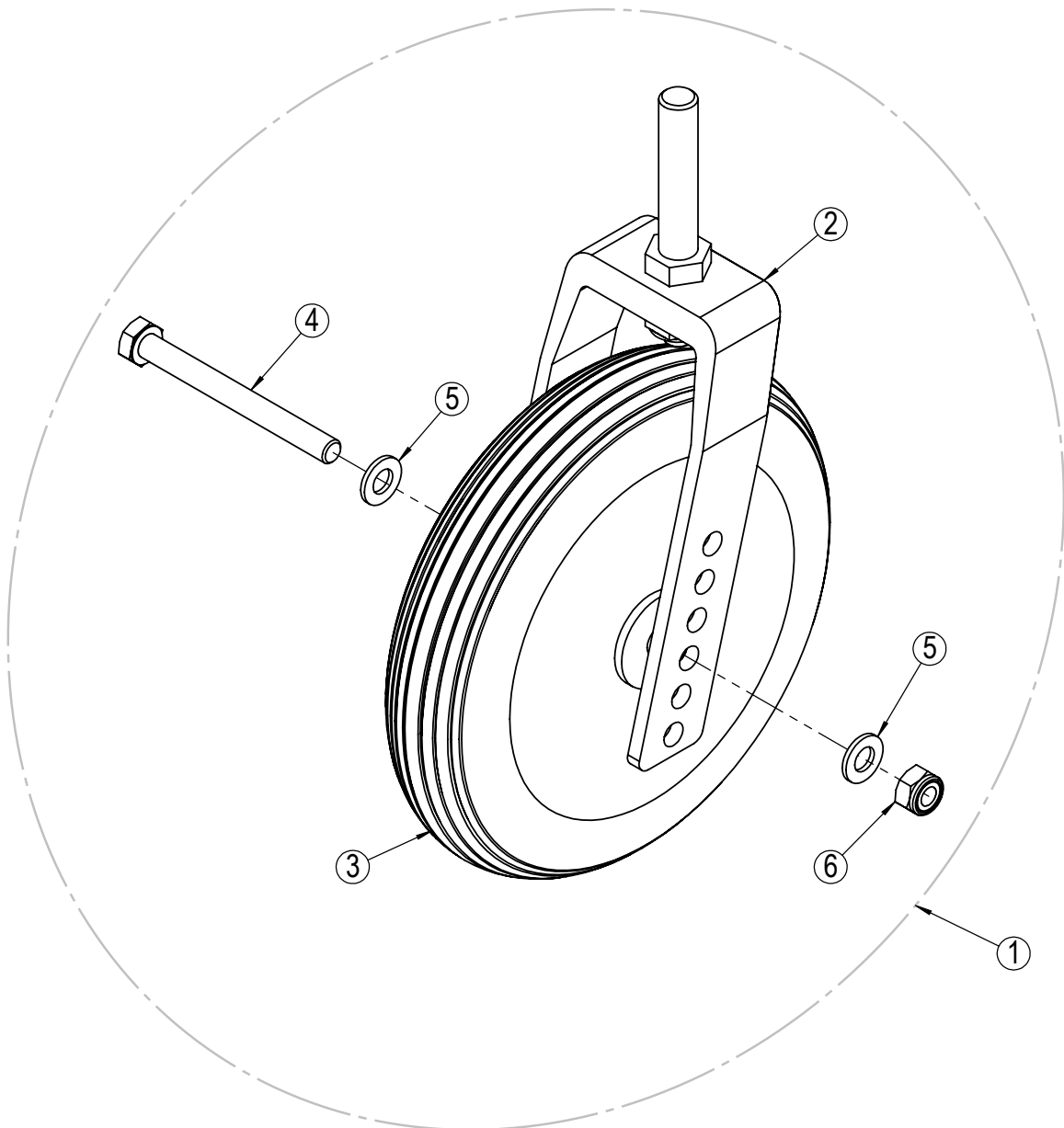




## Bearing house

Position	Description	Item no.	Pcs. pr. chair
1	Bearing house A complete	26445	1
2	Bearing house B complete	26446	1

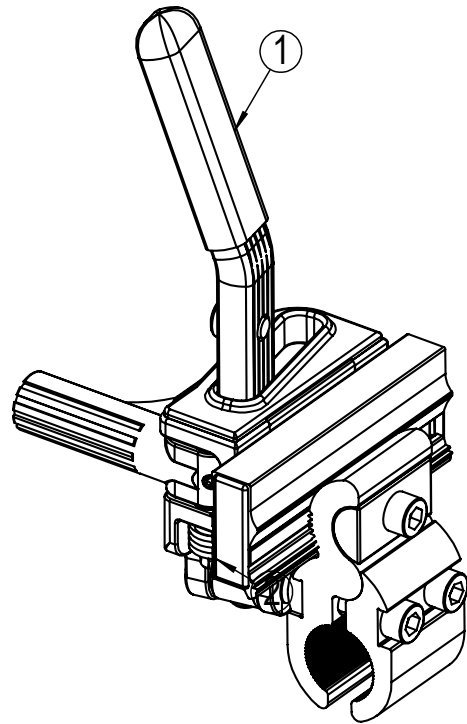
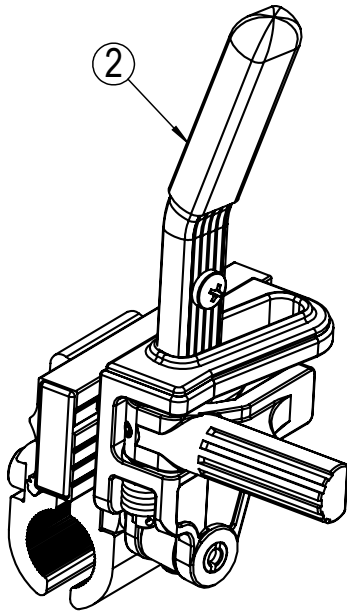
\* Available upon request



## Front castors

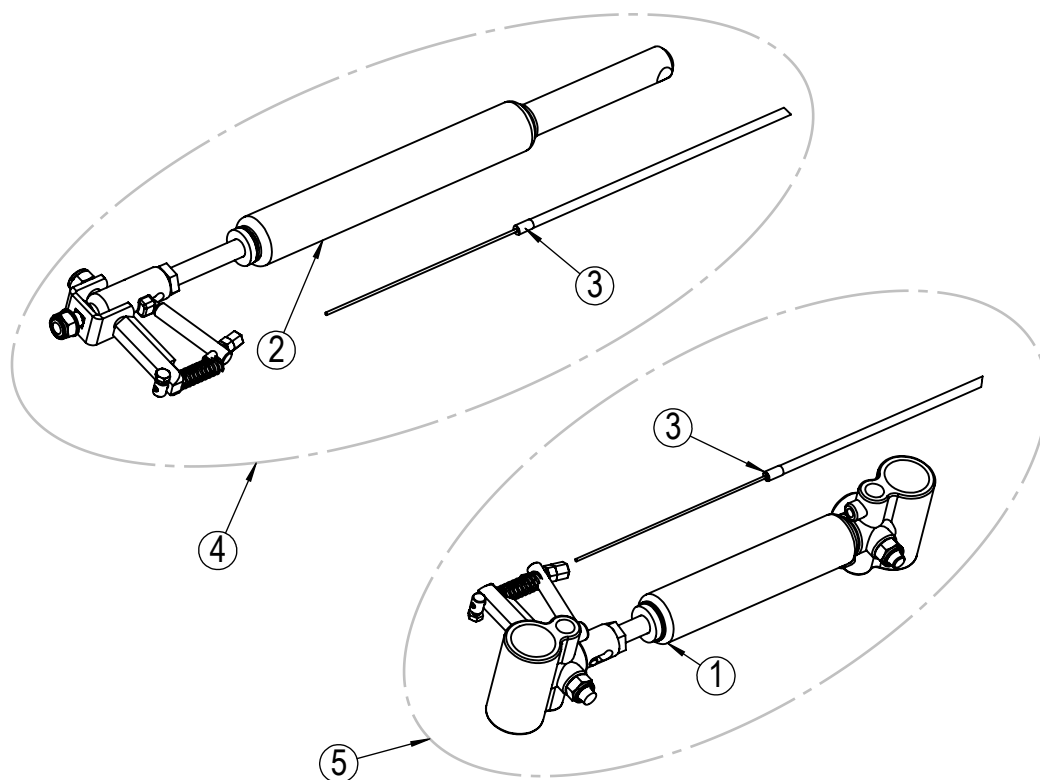
Position	Description	Item no.	Pcs. pr. chair
1	Fork wide with 7" front castors wide profile complete	22193	2
2	Front fork wide	20286	2
3	Front castor 7" wide profile	20279	2
4*	Screw M8x80	20020	2
5*	Washer M8	20068	4
6*	Lock nut M8	20412	2

\* Available upon request



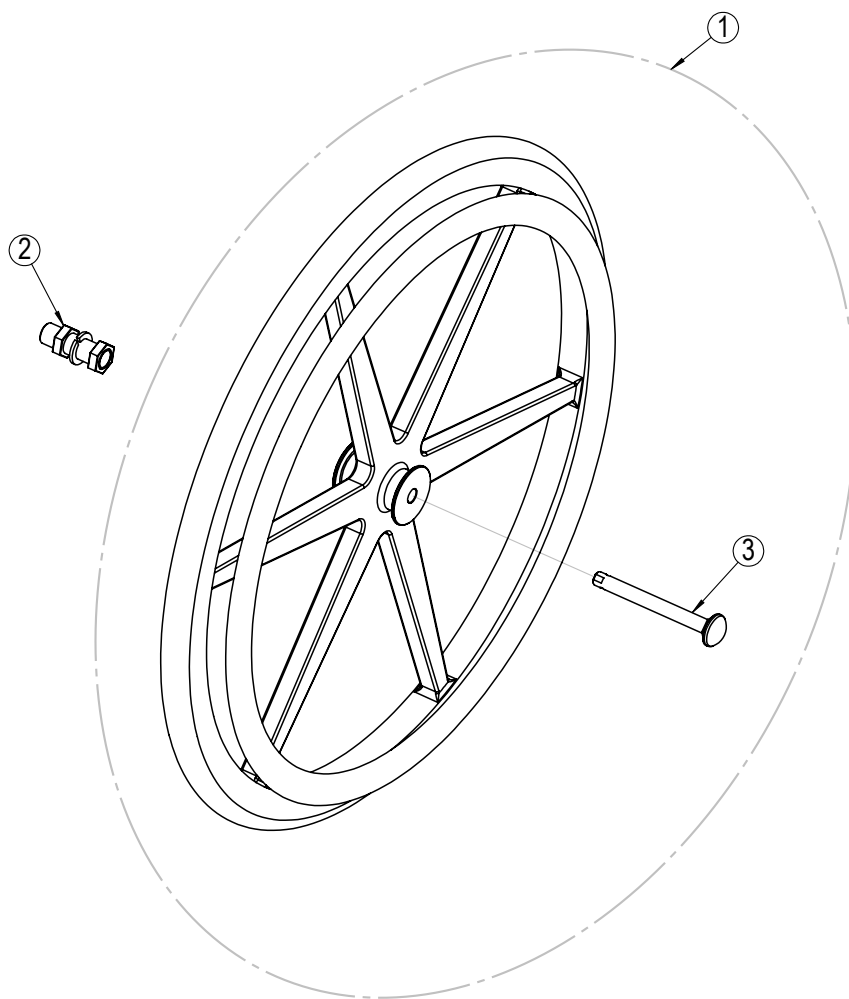
## Brake

Position	Description	Item no.	Pcs. pr. chair
1	Brake Universal Netti I/Svipp Left	26824	1
2	Brake Universal Netti I/Svipp Right	26817	1



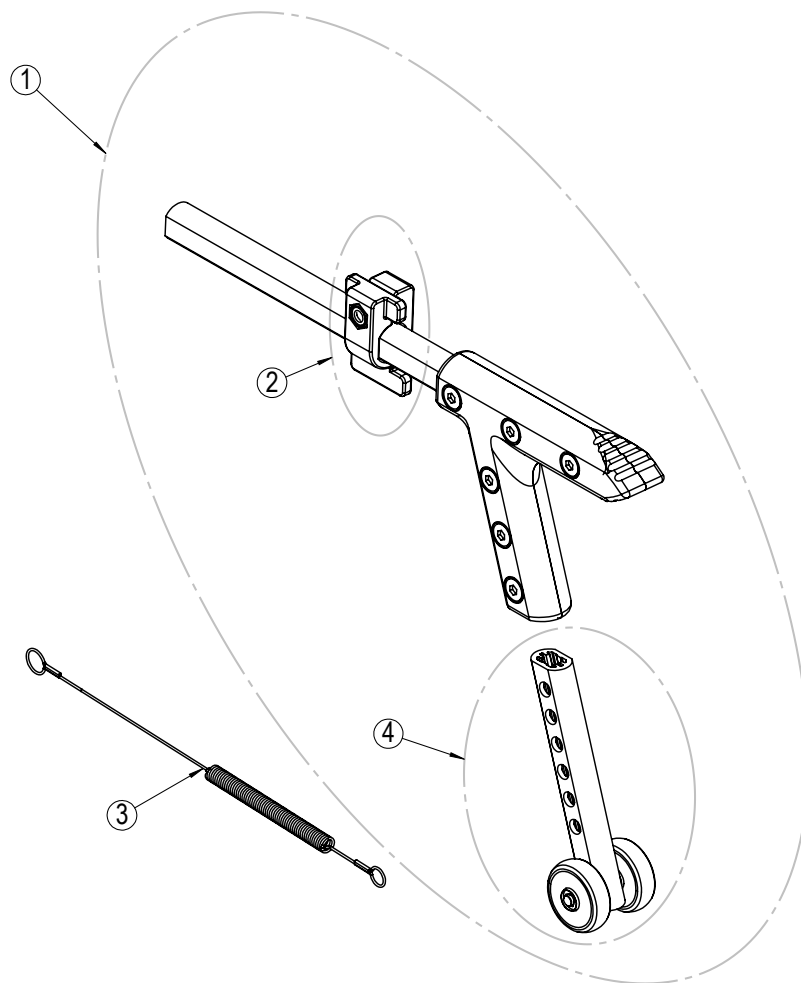
## Gas cylinders

Position	Description	Item no.	Pcs. pr. chair
1	Tilt cylinder complete	25514	1
2	Recline cylinder complete	20471	1
3	Wire with sleeve, clamps and spring complete	27628	2
4	Recline cylinder with wire complete	23273	1
5	Tilt cylinder with wire complete	23274	1
*	Wire tilt complete 50cm - kit	27586	1
*	Wire tilt complete 55cm - kit	27587	1
*	Wire tilt complete 60cm - kit	27588	1



## Main wheels

Position	Description	Item no.	Pcs. pr. chair
1	Main wheel 24" Aluminium	20306	2
2	Wheel bushing complete	20329	2
3	Quick release Ø12 x 98mm	20449	2



## Anti tip

Position	Description	Item no.	Pcs. pr. chair
1	Anti tip long/short	25419	2
2	Anti tip lock bracket complete	26980	2
3*	Anti tip spring 445mm	24242	2
4*	Anti tip vertical bar with wheels standard	26118	2

\* Available upon request