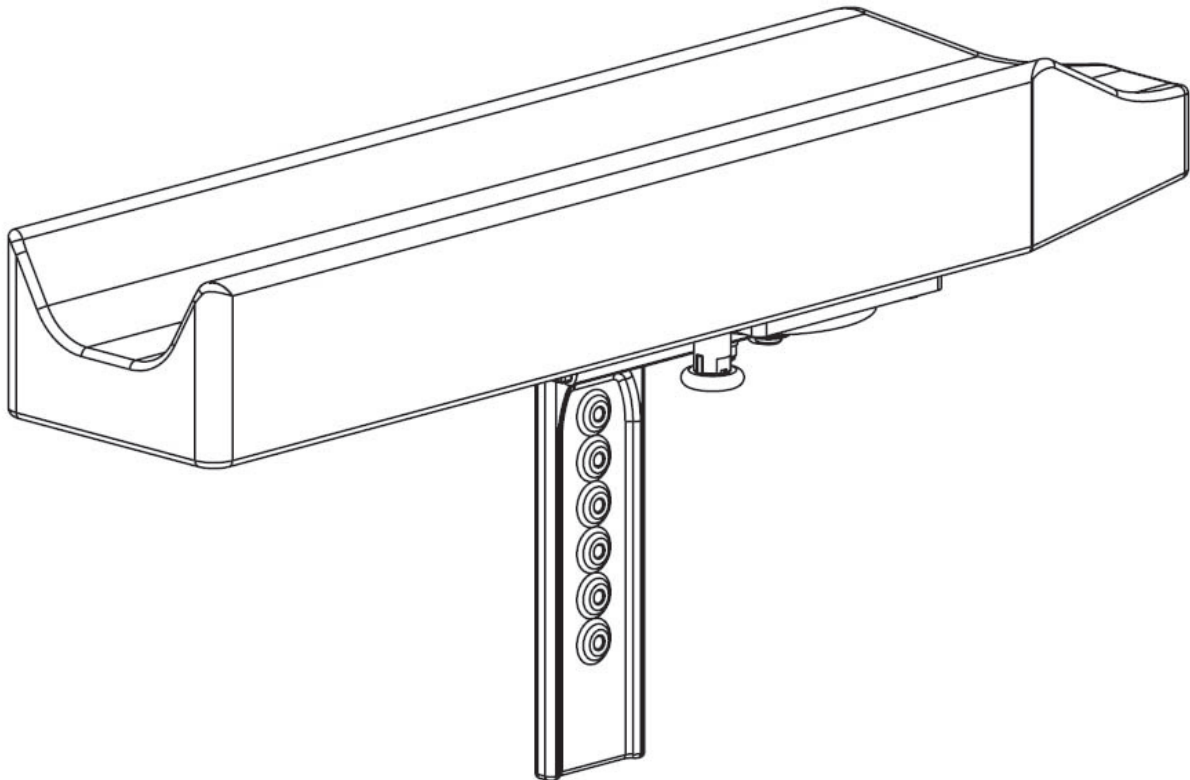


Product Info

Date: 31/5 - 2007	Product info.: 1-2007	Written by: Fredrik Delås
Item: Hemiplegia arm support	Delivery: 1. August	

It is now accepted and started production of Hemiplegia arm supports for the Netti 4U comfort|CED revolvable arm support.

These are expected to be in stock from August 1. this year.



Item number	Item
29459	Hemi arm support compl. for CED Left
29460	Hemi arm support compl. for CED Right