

1

2

3

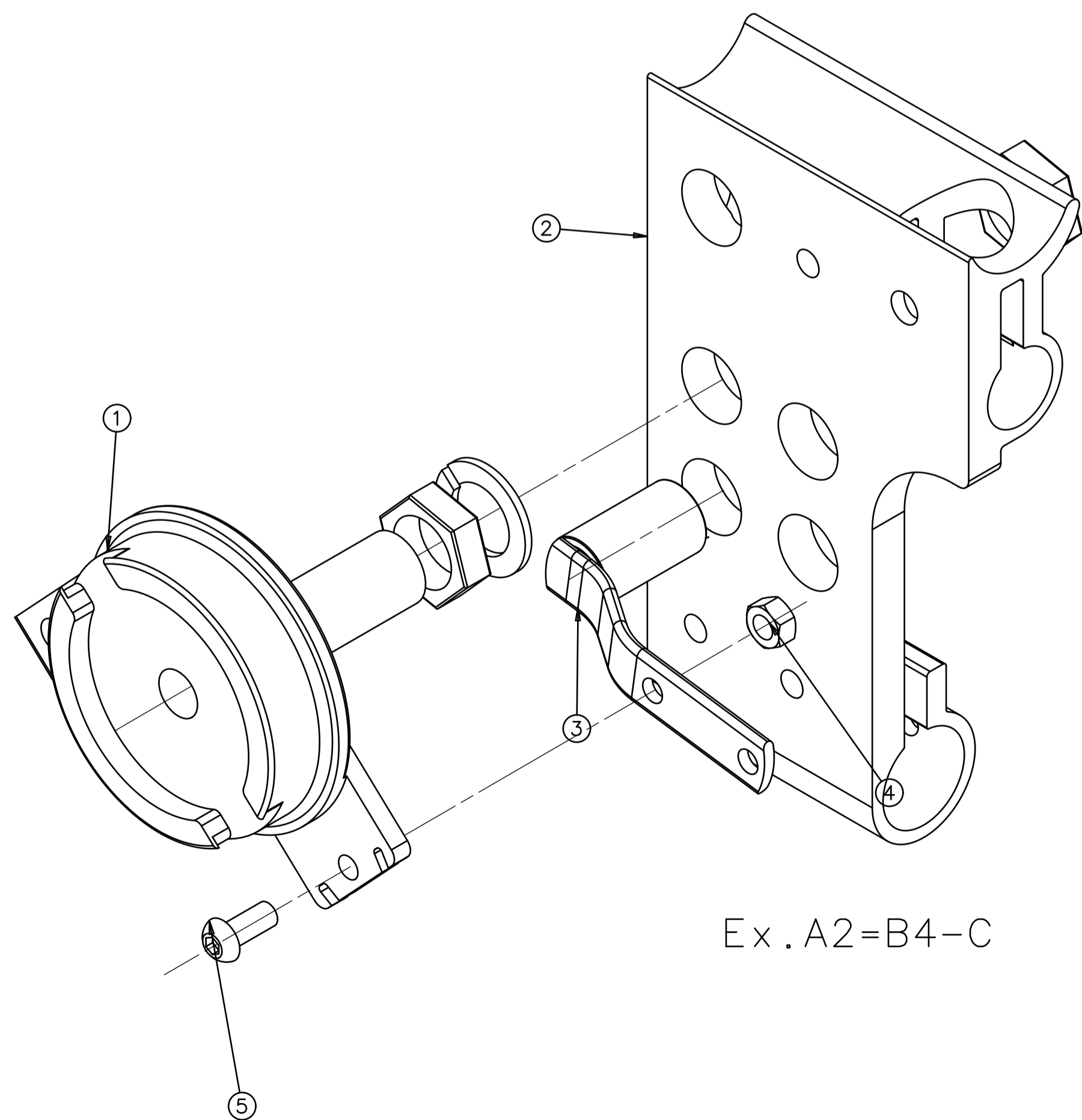
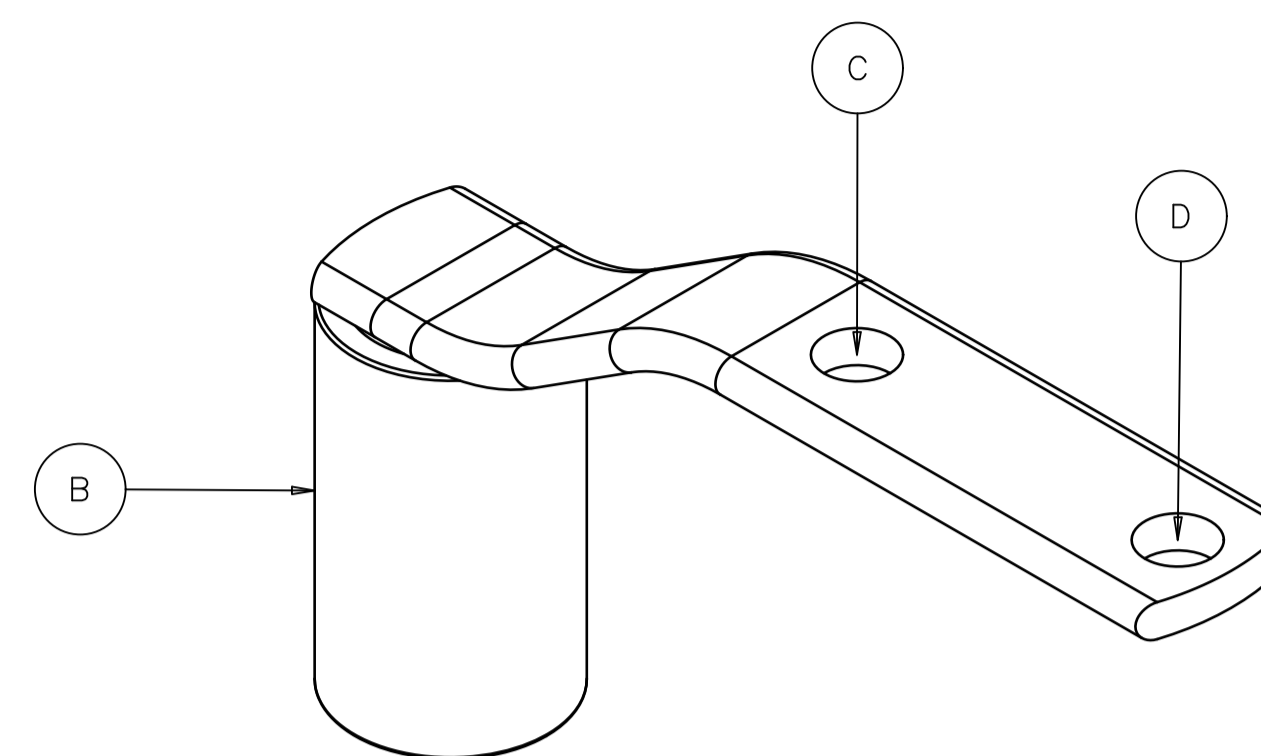
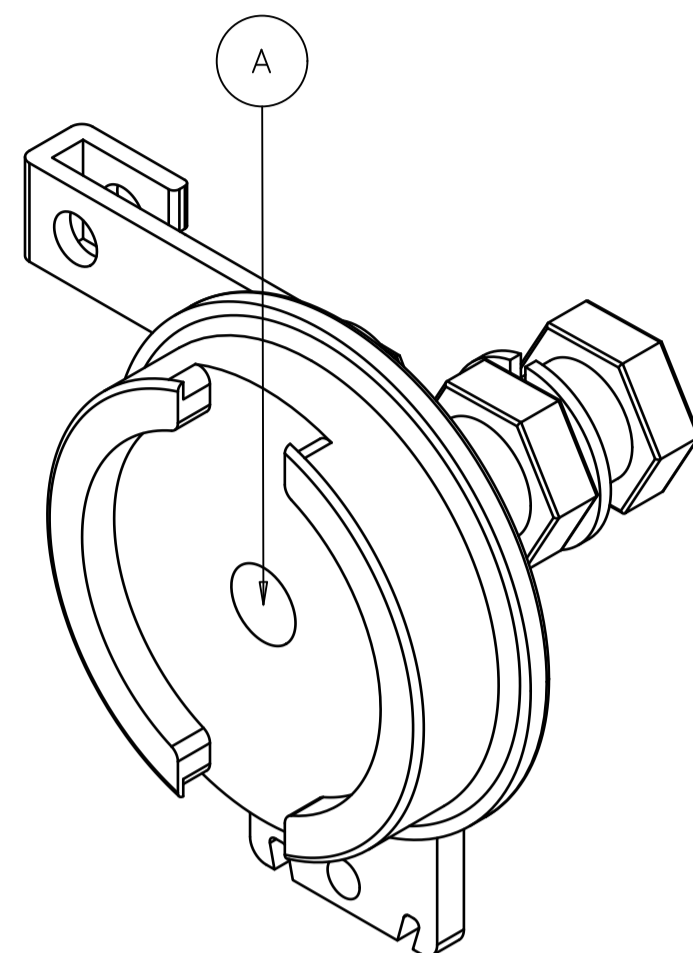
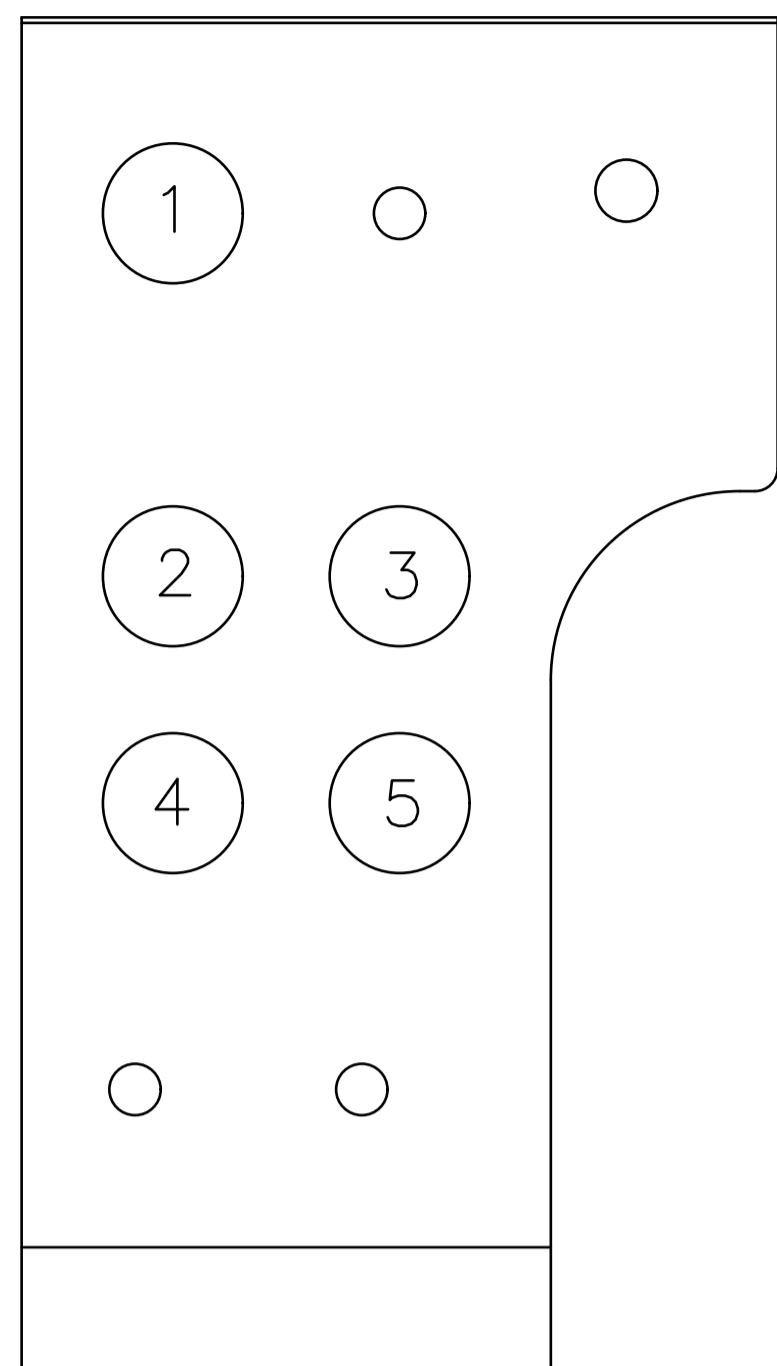
4

5

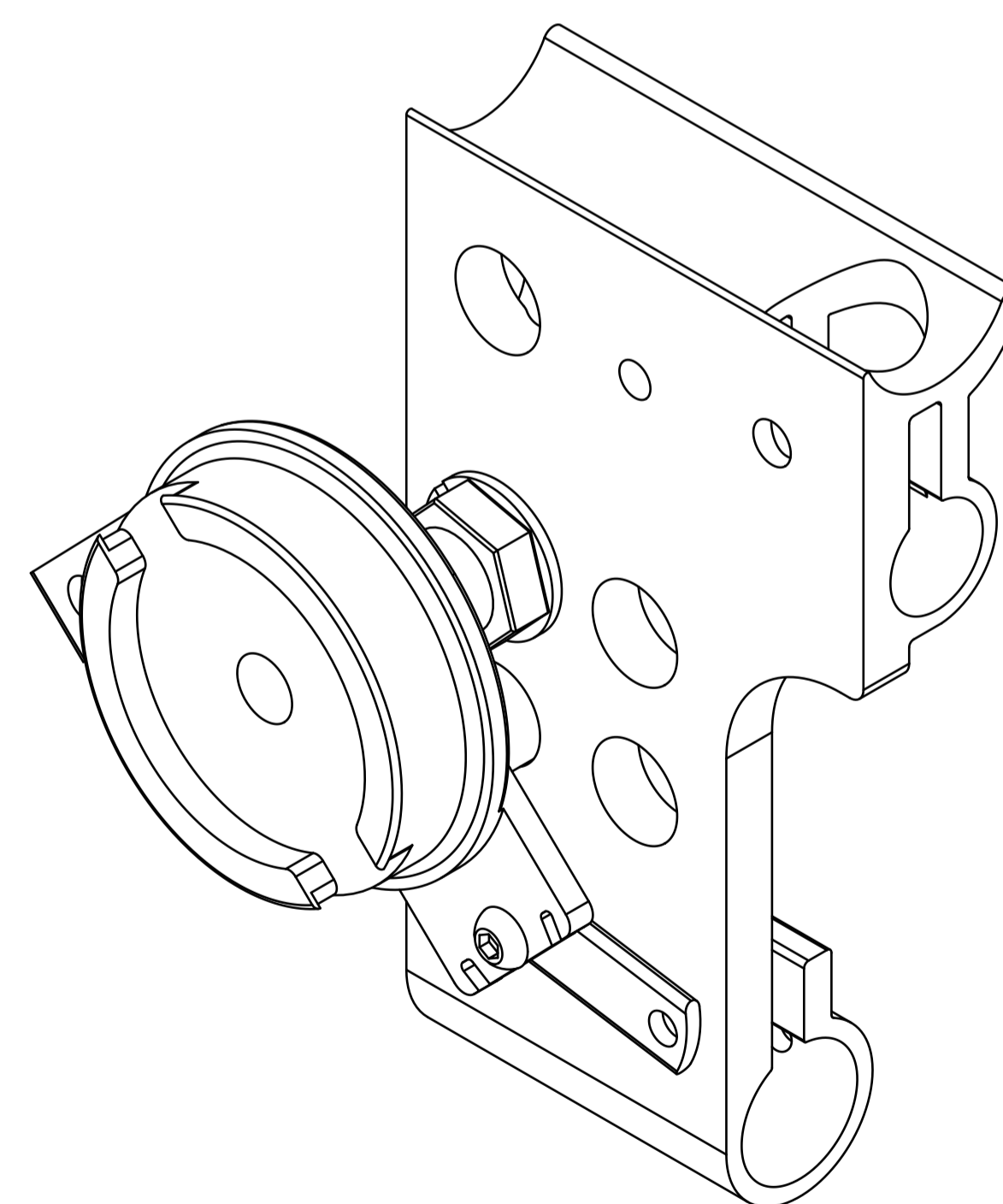
6

7

8



Ex. A2=B4-C



Pos. for drumbrake
A1=B3-D
A2=B4-C
A3=B5-C
A4=B2-D
A5=B3-D

5	1	M6x14 Hex Socket Button Head	24416	
4	1	M6 locknut DIN 985	20058	8. DIN985
3	1	Brake rod 2001	23433	
2	1	Bahjulsbrakett Netti Svipp venstre	21658	
1	1	Ankerplatesett venstre kompl.	20615	
PosQtyName		Part #Material		
QTY REQ	FSM	PART OR IDENTIFYING NO	MANUFACTURE OR DESCRIPTION	MATERIAL SPECIFICATION
PARTS LIST				
UNLESS OTHERWISE SPECIFIED DIMENSIONS ARE IN CENTIMETERS TOLERANCES ARE:		CONTRACT NO.		
FRACTIONS	DECIMALS	ANGLES	APPROVALS	DATE
±	±	±	TITLE	
DO NOT SCALE DRAWING		CHECKED	Alu-Rehab A/S	
FINISH		DRAWN	Drumbrake mounting	
SIMILAR TO		SCALE	Netti Svipp	
			SIZE FSCH NO.	DWG NO.
			A1	
				SHEET

1

2

3

4

5

6

7

8